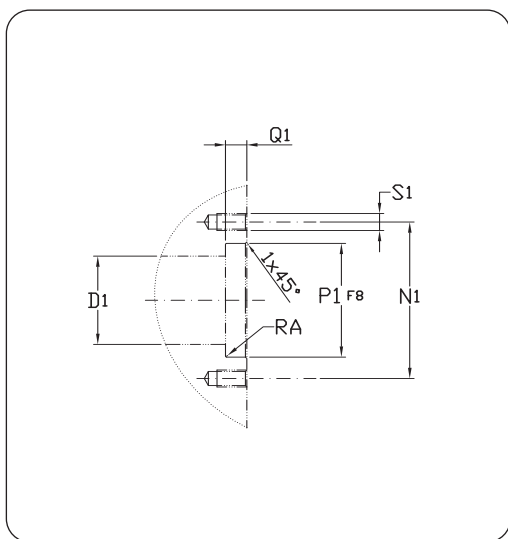


型号 Ordering Code			单一通路 Single passage unions														
水 Water	N	水 Water	D	热油 Hot Oil	B	C	ø D	E	ø F	L	ø M	ø N	ø Ph7	Q	R	S	KG.
S10-300-03F	S10-301-03F	S10-400-03F	G 3/8"	G 1/4"	9	109	43	82	53	38	18	6	8	9	0,8		
S15-300-03F	S15-301-03F	S15-400-03F	G 1/2"	G 3/8"	13	125	55	92	60	45	25	6	10	9	1,5		
S20-300-03F	S20-301-03F	S20-400-03F	G 3/4"	G 1/2"	18	137	64	101	68	50	30	6	10	9	2		
S25-300-03F	S25-301-03F	S25-400-03F	G 1"	G 3/4"	23	164	70	119	78	60	36	7	12	9	2,6		
S32-300-03F	S32-301-03F	S32-400-03F	G 1 1/4"	G 1"	31	182	85	133	94	70	44	8	12	11	4		
S40-300-03F	S40-301-03F	S40-400-03F	G 1 1/2"	G 1 1/4"	36	203	92	139	99	78	52	10	14	11	5,5		
S50-300-03F	S50-301-03F	S50-400-03F	G 2"	G 1 1/4"	48	224	110	154	119	95	65	10	14	11	9		



**CN** 安装方式

**UK** Union Installation

**D** Montageanweisungen

**I** Istruzioni di montaggio

	ø D1	ø N1	ø P1 F8	RA	Q1	ø S1
<b>S10</b>	9	38	18	0,2	6	M8 4x90°
<b>S15</b>	13	45	25	0,2	6	M8 4x90°
<b>S20</b>	18	50	30	0,2	6	M8 4x90°
<b>S25</b>	23	60	36	0,2	7	M8 4x90°
<b>S32</b>	31	70	44	0,2	8	M10 4x90°
<b>S40</b>	36	78	52	0,2	10	M10 4x90°
<b>S50</b>	48	95	65	0,2	10	M10 4x90°