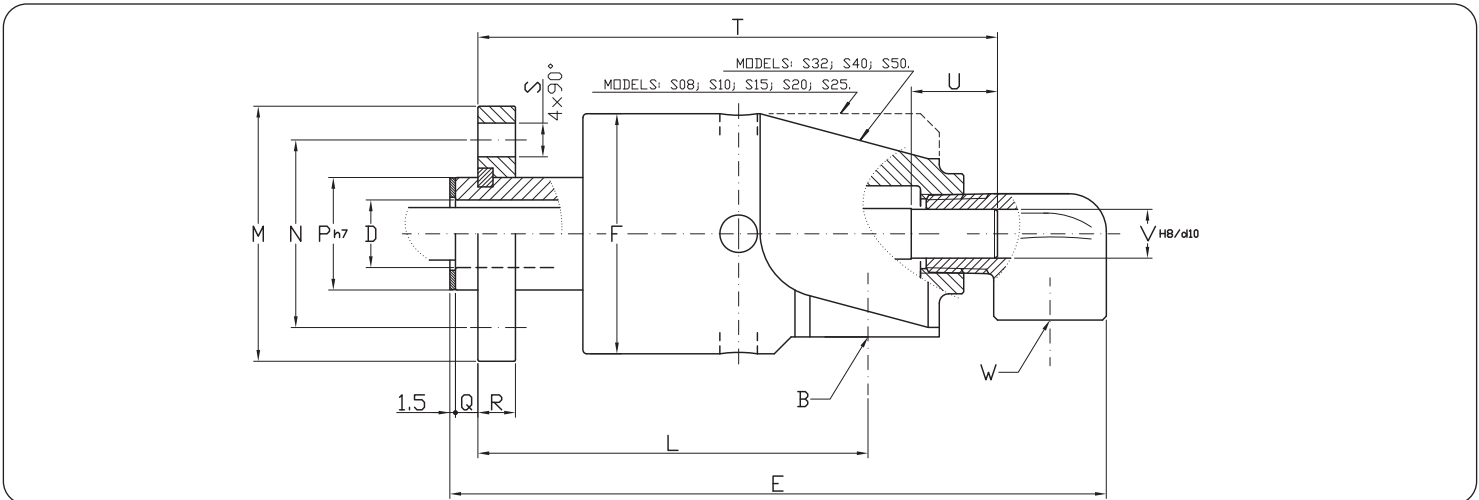


型号 Ordering Code			双通路 固定虹吸管 Double passage stationary siphon															KG.	
水 Water	N	水 Water	D	热油 Hot Oil	B	ø D	E	ø F	L	ø M	ø N	ø P h7	Q	R	S	T	U		V
S10-300-03F-800	S10-301-03F-800	S10-400-03F-800	G 3/8"	9	132	43	82	53	38	18	6	8	9	101	10	M6	G 1/4"	G 3/8"	0,9
S15-300-03F-800	S15-301-03F-800	S15-400-03F-800	G 1/2"	13	151	55	92	60	45	25	6	10	9	115	12	G 1/8"	G 3/8"	1,6	
S20-300-03F-800	S20-301-03F-800	S20-400-03F-800	G 3/4"	18	172	64	101	68	50	30	6	10	9	130	14	G 1/4"	G 1/2"	2,1	
S25-300-03F-800	S25-301-03F-800	S25-400-03F-800	G 1"	23	202	70	119	78	60	36	7	12	9	158	16	G 3/8"	G 1/2"	2,9	
S32-300-03F-800	S32-301-03F-800	S32-400-03F-800	G 1 1/4"	31	225	85	133	94	70	44	8	12	11	172	16	G 1/2"	G 3/4"	4,4	
S40-300-03F-800	S40-301-03F-800	S40-400-03F-800	G 1 1/2"	36	251	92	139	99	78	52	10	14	11	185	18	G 3/4"	G 1"	5,9	
S50-300-03F-800	S50-301-03F-800	S50-400-03F-800	G 2"	48	282	110	154	119	95	65	10	14	11	208	20	G 1"	G 1 1/4"		



型号 Ordering Code			双通路 旋转虹吸管 Double passage rotating siphon															KG.	
水 Water	N	水 Water	D	热油 Hot Oil	B	ø D	E	ø F	L	ø M	ø N	ø P h7	Q	R	S	T	U		V
S10-300-03F-810	S10-301-03F-810	S10-400-03F-810	G 3/8"	9	132	43	82	53	38	18	6	8	9	106	20	6	G 1/4"	G 3/8"	0,9
S15-300-03F-810	S15-301-03F-810	S15-400-03F-810	G 1/2"	13	151	55	92	60	45	25	6	10	9	120	22	10	G 3/8"	G 3/8"	1,6
S20-300-03F-810	S20-301-03F-810	S20-400-03F-810	G 3/4"	18	172	64	101	68	50	30	6	10	9	136	22	13	G 1/2"	G 1/2"	2,1
S25-300-03F-810	S25-301-03F-810	S25-400-03F-810	G 1"	23	202	70	119	78	60	36	7	12	9	161	25	16	G 1/2"	G 1/2"	2,9
S32-300-03F-810	S32-301-03F-810	S32-400-03F-810	G 1 1/4"	31	225	85	133	94	70	44	8	12	11	176	26	22	G 3/4"	G 3/4"	4,4
S40-300-03F-810	S40-301-03F-810	S40-400-03F-810	G 1 1/2"	36	251	92	139	99	78	52	10	14	11	190	30	26	G 1"	G 1"	5,9
S50-300-03F-810	S50-301-03F-810	S50-400-03F-810	G 2"	48	282	110	154	119	95	65	10	14	11	214	34	32,2	G 1 1/4"	G 1 1/4"	9,4